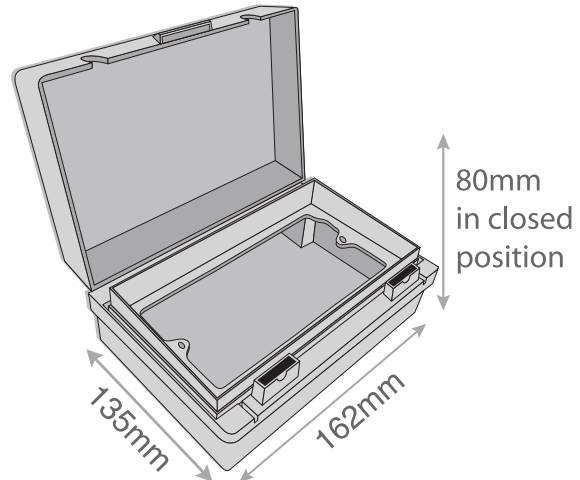


Data Sheet : SS65-2G



Code	SS65-2G
Description	IP65 Rated Heavy Duty Universal Accessory Box - 2 Gang - Unpopulated
Size when closed	135mm (H) x 162mm (W) x 80mm (D) - Internal depth: 30mm
Range	Selectric Seal - IP65 to IP68 Rated Accessories
Colour	Grey
Material	Polycarbonate
Included	Grommet, plugs, screws & instructions
Weight	0.443kg
Inner Carton Quantity	1
Inner Carton Weight	0.518kg
Barcode	5025117993149
Commodity Code	85369085
Standards	BS EN 60529
Notes	<ul style="list-style-type: none"> • Heavy duty & weatherproof, for indoor or outdoor use • Knockout entries x 6, plus 2 to rear • Mounting holes: 78mm / 98mm • IP65 – Protected against dust that may harm equipment. Protected against water spray from all directions