



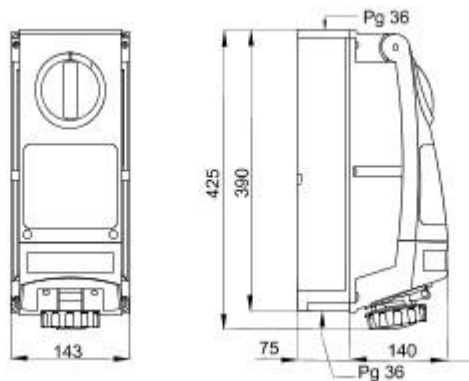
A product range comprising industrial-type socket-outlets conforming to IEC 60309 Standard, with rotary switch mechanical interlock for individual or group applications on modular bases. The robustness of the products and their resistance to the main chemical and atmospheric agents, together with the high IP66 degree of protection, mean they can be installed in tough environments with critical atmospheric, chemical and mechanical (accidental impact) conditions.

| | | | |
|-----------------------------|------------|---------------------------|------------|
| Type | Vertical | Thermo-pressure with ball | 80 °C |
| Impact resistance at -20 °C | 20 J | IP degree | IP66 |
| No. of poles | 3P+E | Mechanical resistance | > IK10 |
| Frequency | 50/60 Hz | Operating temperature | -25 +40 °C |
| Protection | NO (SBF) | With back-mounting box | Yes |
| Electrocod | 2222 | Glow wire test | 850 °C |
| Colour | Red | Rated current (A) | 63 |
| Reference h | 6 | Rated voltage | 380-415 V |
| Type of use | Heavy duty | | |

BEHAVIOUR WITH CHEMICAL AND ATMOSPHERIC AGENTS

| Saline solution | Acids | | Bases | | Solvents | | | | Mineral oil | UV rays |
|-----------------|---------------|--------------------|---------------|--------------------|-----------|-----------|--------------------|-----------|-------------|-----------|
| | Concentrated | Diluted | Concentrated | Diluted | Hexane | Benzol | Acetone | Alcohol | | |
| Resistant | Not resistant | Limited resistance | Not resistant | Limited resistance | Resistant | Resistant | Limited resistance | Resistant | Resistant | Resistant |

DIMENSIONAL



TECHNICAL SYMBOLOGY



STANDARDS/APPROVALS



GEWISS S.p.A. Via A. Volta, 1
24069 Cenate Sotto - Bergamo - Italy
tel. +39 035 94 61 11 fax +39 035 94 69 09

www.gewiss.com
sat@gewiss.com
Last update 26/05/2020

Data, measures, designs and pictures are for information purpose only, last update. They can be changed at any moment, therefore it is always

recommended to read the last updated version published on the website www.gewiss.com. Lumen output and system power are subject to a tolerance of +/- 10%. Unless stated otherwise, the values apply to an ambient temperature of 25°C. Terms of warranty at <https://www.gewiss.com/it/en/company/landingpage/led-warranty>.