



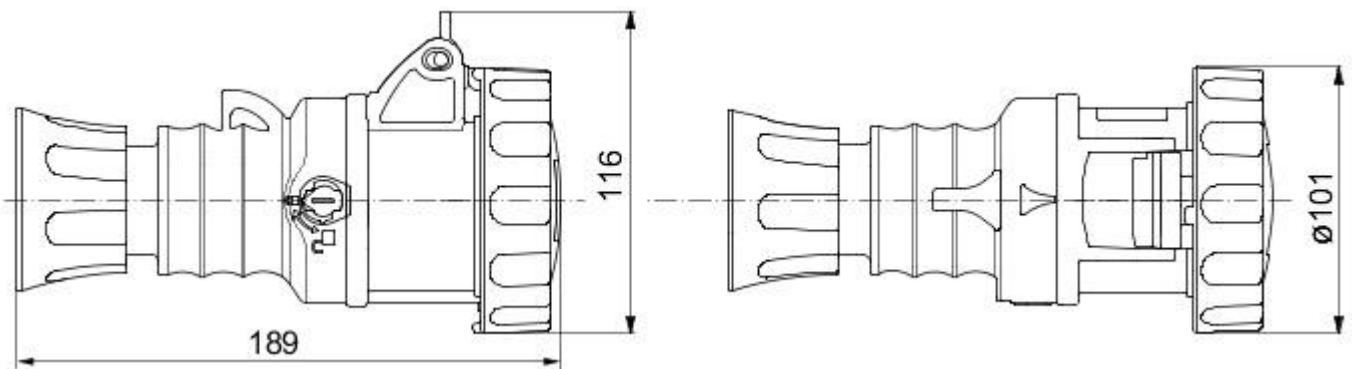
IEC 309 HP: range of plugs and socket-outlets complying with the safety requisites defined by the international Standards IEC 60309-1 and IEC 60309-2 and assimilated at European level as EN 60309-1 and EN 60309-2. This range expands GEWISS's assortment from 16A to 125A straight plugs, straight connectors and 10° flush-mounting socket-outlets with IP44/IP54 and IP66/IP67/IP68/IP69 degrees of protection to ensure full protection for all applications. The technopolymers and thickness used for the parts made of insulating material guarantee an elevated degree of mechanical and chemical agent resistance. All the sleeves and pins of the IEC 309 HP socket-outlets and plugs are surface-treated with nickel-plating to ensure full protection against corrosion, oxidation and abrasion. All the external metallic elements of the IEC 309 HP plugs and socket-outlets are made of stainless steel (the threaded metallic inserts for the body-grip coupling of the 63-125A versions are made of brass).

|                                 |   |                              |   |
|---------------------------------|---|------------------------------|---|
| Colour                          | Red   | Rated current (A)            | 32  |
| IP degree                       | IP66/IP67/IP68/IP69                           | No. of poles                 | 3P+N+E  |
| Mechanical resistance           | IK09  | Reference h                  | 6   |
| Type                            | Straight connector                            | Rated voltage                | 380 - 415 V   |
| Frequency                       | 50/60 Hz                                      | Terminal tightening capacity | 2.5-6mm <sup>2</sup> flexible cables - 2.5-10mm <sup>2</sup> rigid cables |
| Cable clamp tightening capacity | 9.2-19.9 mm                                   | Operating temperature        | -25 +55 °C  |
| Type of wiring                  | With screw                                    | Type of material             | Halogen-free in compliance with EN 60754-2                                |
| Electrocod                      | 2211  | Glow wire test               | 850 °C (active parts) - 650 °C (passive parts)                            |
| Total number of operations      | > 2000  | Permissible overload         | 42 A  |
| Breaking capacity at 1.1 Un     | 40 A  | Insulation resistance        | > 10 MΩ   |
| Thermo-pressure with ball       | 125 °C (active parts) - 80 °C (passive parts) |                              |   |

#### BEHAVIOUR WITH CHEMICAL AND ATMOSPHERIC AGENTS

| Saline solution | Acids         |                    | Bases              |           | Solvents  |           |           |            | Mineral oil | UV rays   |
|-----------------|---------------|--------------------|--------------------|-----------|-----------|-----------|-----------|------------|-------------|-----------|
|                 | Concentrated  | Diluted            | Concentrated       | Diluted   | Hexane    | Benzol    | Acetone   | Alcohol    |             |           |
| Resistant       | Not resistant | Limited resistance | Limited resistance | Resistant | Resistant | Resistant | Resistant | Resistente | Resistant   | Resistant |

#### DIMENSIONAL



#### TECHNICAL SYMBOLOGY

|                     |           |  |                   |  |  |
|---------------------|-----------|--|-------------------|--|--|
| <b>IP</b>           | <b>IK</b> | <b>INSTALLATION</b><br>-25 °C min / +55 °C max | <b>With screw</b> | <b>HF</b><br>HALOGEN FREE                  | <b>GWT</b>   |
| IP66/IP67/IP68/IP69 | IK09      |  |                   | Halogen-free in compliance with EN 60754-2 | 850 °C (active parts) - 650 °C (passive parts) / 125 °C (active parts) - 80 °C (passive parts) |

#### STANDARDS/APPROVALS

