



## AZILED50/PIR



### Features

Compact and economic polycarbonate LED floodlight.

Only suitable for semi commercial applications.

50W LED exceeds performance of 70W HQL.

Polished faceted reflector and textured polycarbonate for optimum performance.

Bracket design allows installation without removing mounting bracket.

Pre-wired with 1 metre of rubber insulated cable for ease of installation.

PIR versions complete with manual override facility.

LED lifespan L70 52000h.

Non-dimmable.

## General Information

Lamp Type	LED
Colour / Finish	Black
IP Rating	IP65
IK Rating	IK08
Class Protection	1
Internal / External	Internal / External
Surface / Recessed / Suspended	Surface
LED Life	L70 52000h
Warranty (Years)	3
CE Mark	Yes
Width (mm)	204
Height (mm)	242
Depth (mm)	51

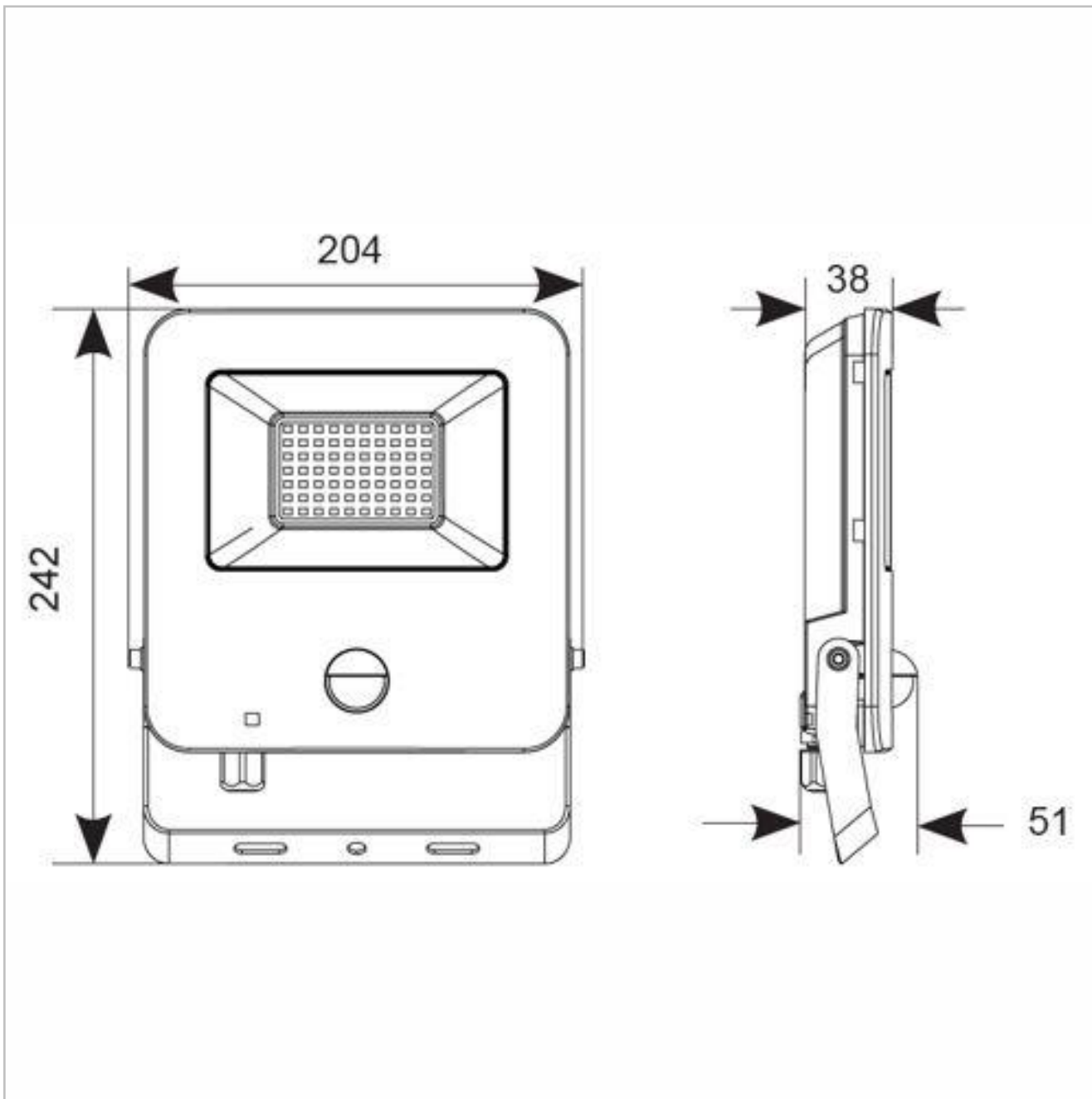
## Technical Information

Wattage	50W
Lumens Delivered	4698lm
Lm/W	94lm
CRI	Ra 70
CCT	4000K
Input	230V
Hertz	50Hz
Operating Temp	-10 to 40°C

## Technical Data - ETIM - Downlight/spot/floodlight (EC001744)

Suitable for surface mounting	Yes
Suitable for built-in mounting	No
Suitable for wall mounting	Yes
Suitable for suspended mounting	No
Suitable for ceiling mounting	No
Suitable for traverse mounting	No
Suitable for light-track mounting	No
Adjustability	Swivelling
With movement sensor	Yes
With light sensor	No
With light source	Yes
Material housing	Plastic
Nominal voltage	230-230 V
Control gear included	Yes
No dim function	Yes
Light distributor	Reflector
Degree of protection (IP)	IP65
Impact strength	IK08
Protection class	I
Max. system power	50 W
Colour of light	White
Colour temperature	4000-4000 K
Colour rendering index CRI	70-79
Rated luminous flux acc. IEC 62722-2-1	4698 lm
Lamp efficacy	94 lm/W

Width	38 mm
Height/depth	242 mm
Length	204 mm



Datasheet generated from <https://onetimepim.com> last updated Friday, February 18, 2022 12:23:45 PM