

Sensor-switched LED floodlight - Professional Line

# XLED PRO ONE S

with motion detector

EAN 4007841 069568

Article number 069568



LED

long life LED  
50.000 h

3000 K

3000K  
warm-white



infrared sensor  
240°



max. 10 m



IP44



Panel 180° vertical



2 - 1000 lux



8 sec - 35 min



indoor/outdoor  
light



10% basic  
brightness

## Function description

Floodlights redefined. Housed in a sophisticated aluminium enclosure, the 180° vertically swivelling floodlight XLED PRO ONE S guarantees daylight-bright illumination across large areas with warm white 3000 K and 2204 lm at 18,4 W. Features include a 240° infrared sensor (10 m range), plug-in cover caps to limit the detection zone, a basic light function (10%), and an optional surface-mounting adapter. Connected by cable. Adjusted by potentiometer and remote control. Maximum mounting height: 6 m. 5-year guarantee.

# XLED PRO ONE S

with motion detector  
 EAN 4007841 069568  
 Article number 069568



## Technical specifications

Dimensions (L x W x H)	182 x 229 x 230 mm
With lamp	Yes, STEINEL LED system
With motion detector	Yes
Manufacturer's Warranty	5 years
Settings via	Remote control, Potentiometers, App
Version	with motion detector
PU1, EAN	4007841069568
Application, place	Outdoors
Application, room	outdoors, garden, front door, courtyard & driveway, all round the building, Indoors
Colour	Anthracite
Includes corner wall mount	No
Installation site	ceiling, wall
Installation	Surface wiring, Wall
Impact resistance	IK03
IP-rating	IP44
Protection class	I
Ambient temperature	-20 – 40 °C
Housing material	Aluminium
Cover material	Glass transparent
Mains power supply	220 – 240 V / 50 – 60 Hz
Output	5 - 25 W
Mounting height max.	6,00 m
Slave modeselectable	No
Angle of aperture	180 °
Sneak-by guard	Yes
Capability of masking out individual segments	No

Electronic scalability	No
Mechanical scalability	No
Reach, radial	r = 3 m (19 m <sup>2</sup> )
Reach, tangential	r = 10 m (209 m <sup>2</sup> )
Photo-cell controller	Yes
Cover material	shrouds
Luminous flux total product	2204 lm
Measured luminous flux (360°)	2204 lm
Total product efficiency	120 lm/W
Colour temperature	3000 K
Colour variation LED	SDCM3
Colour Rendering Index	80-89
Lamp	LED cannot be replaced
LED life expectancy (max. °C)	50000 h
Drop in luminous flux in accordance with LM80	L70B10
LED cooling system	Passive Thermo Control
Soft light start	Yes
Functions	DIM function, Light sensor, Motions sensor, Orientation light
Twilight setting	2 – 2000 lx
Time setting	8 s – 35 Min.
Basic light level function	Yes
Basic light level function time	10/30 min, all night
Main light adjustable	No
Twilight setting TEACH	Yes
Interconnection	Yes
Interconnection via	Cable

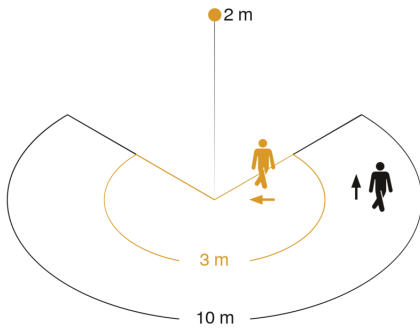
# XLED PRO ONE S

with motion detector

EAN 4007841 069568

Article number 069568

## Detection Zone

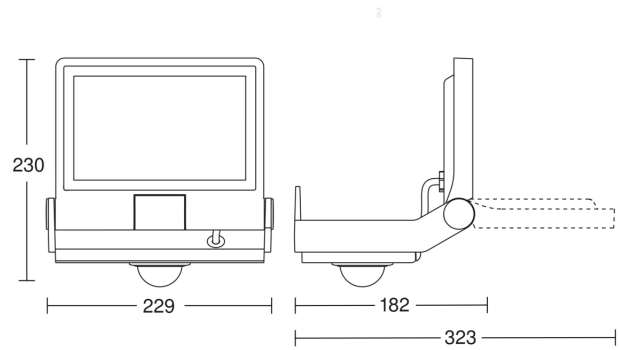


Mögliche Montagehöhe: 1,80 m – 6,00 m

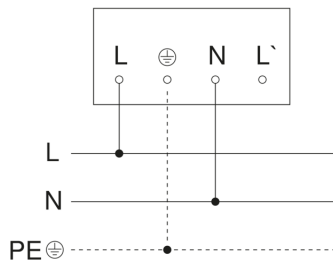
Orange: radial

Schwarz: tangential

## Dimension Drawing



## Master circuit diagram



## Master/slave interconnection circuit diagram

