

Motion detector

IS 140-2

black

EAN 4007841 608811

Article number 608811



infrared sensor
140°



max. 14 m

1000 W

1000 W max.
(LED-ready)



IP54



Sensor 90° ver.,
180° hor.



2 - 2000 lux



8 sec - 35 min



Ideal 2 m



energy saving

3 years

manufacturer's
warranty
steinel.de/garantie

Function description

The classic detector, now with even more class. Infrared motion detector IS 140-2, for indoors and out, ideal for targeted detection close to the building, 140° angle of coverage, reach up to 14 m, selectable time and twilight threshold, sensor turns through 180° and tilts through 90° for exact adjustment of the detection zone.

Motion detector

IS 140-2

black

EAN 4007841 608811

Article number 608811



Technical specifications

Type	Motion detectors	Fluorescent lamps, electronic ballast	430 W
Dimensions (L x W x H)	99 x 86 x 82 mm	Fluorescent lamps, uncorrected	500 VA
Mains power supply	230 – 240 V / 50 Hz	Fluorescent lamps, series-corrected	500 VA
Sensor Technology	passive infrared	Fluorescent lamps, parallel-corrected	500 VA
Application, place	Outdoors, Indoors	Switching output 1, low-voltage halogen lamps	1000 VA
Installation site	wall	LED lamps	16 W
Installation	Surface wiring	LED lamps > 2 W	64 W
Mounting height	1,80 – 3,00 m	LED lamps > 8 W	64 W
Reach, radial	r = 3 m (11 m ²)	Capacitive load in µF	88 µF
Reach, tangential	r = 14 m (239 m ²)	Constant-lighting control	No
Detection angle	140 °	Basic light level function	No
Angle of aperture	40 °	Settings via	Potentiometers
Switching zones	144 switching zones	With remote control	No
Optimum mounting height	2 m	Interconnection	Yes
Mechanical scalability	No	Type of interconnection	Master/master
Sneak-by guard	Yes	IP-rating	IP54
Capability of masking out individual segments	Yes	Material	Plastic
Electronic scalability	No	Ambient temperature	-20 – 50 °C
Twilight setting TEACH	No	Application, room	outdoors, front door, all round the building, terrace / balcony, courtyard & driveway
Twilight setting	2 – 2000 lx	Colour	black
Time setting	8 s – 35 Min.	Colour, RAL	9005
Output	1000 W	Manufacturer's Warranty	3 years
Switching output 1, resistive	1000 W	Version	black
Switching output 1, number of LEDs / fluorescent lamps	6 pcs.	PU1, EAN	4007841608811

Accessories

EAN 4007841 631864	Corner wall mount 07
EAN 4007841 631765	Corner wall mount 07

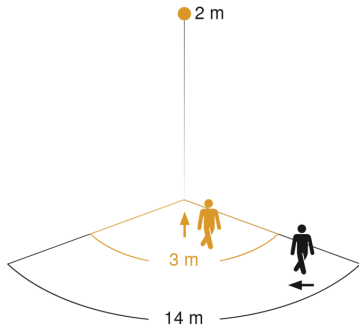
Motion detector

IS 140-2

black
EAN 4007841 608811
Article number 608811

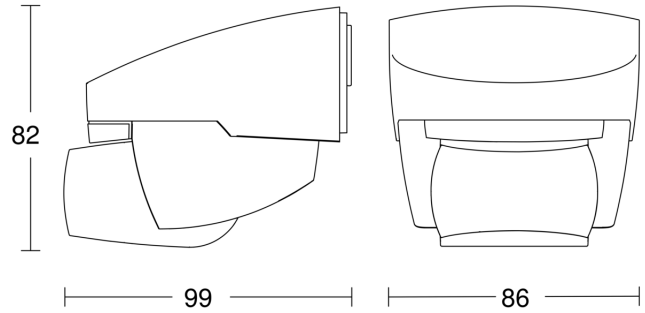


Detection Zone

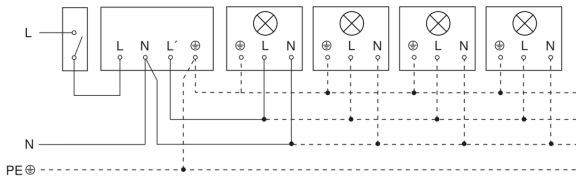


Mögliche Montagehöhe: 1,80 m – 3,00 m
Orange: radial
Schwarz: tangential

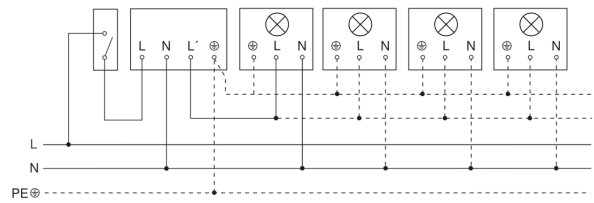
Dimension Drawing



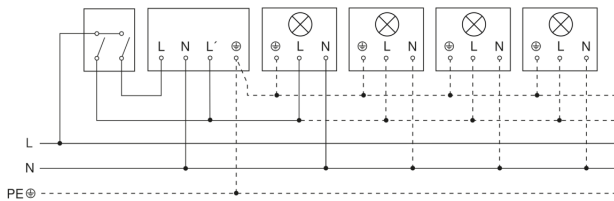
Light without neutral conductor



Light with neutral conductor



Connection using two-circuit switch for manual and automatic operation



Connection via a two-way switch for manual override and automatic operation

