

IS 2360 ECO

EAN 4007841 006556

infrared sensor
360°

8 sec - 35 min



energy saving

5 JAHRE
HERSTELLER
GARANTIE
manufacturer's
warranty
steinel-professional.de/garantie

CE

Function description

Elegant. Compact. Inconspicuous. IS 2360 ECO precision infrared surface-mounted sensor. Ideal for porches and small rooms. 360° angle of coverage, 160° angle of aperture and 7 m reach. Includes shrouds for customising the detection zone. Passive infrared sensor technology. Easy to install. Finish colour: white.

Technical specifications

Type	Motion detectors
Dimensions (Ø x H)	115 x 50 mm
Mains power supply	230 V / 50 – 60 Hz
Sensor Technology	passive infrared
Application, place	Outdoors, Indoors
Application, place, room	corridor / aisle, changing room, function room / ancillary room, kitchenette, stairwell, WC / washroom, multi-storey / underground car park, outdoors, warehouse, Indoors
Installation site	ceiling
Installation	Surface wiring
Switching zones	664 switching zones
Electronic scalability	No
Mechanical scalability	No
Mounting height	2,00 – 4,00 m
Optimum mounting height	2,8 m
Detection angle	360 °
Angle of aperture	180 °
Sneak-by guard	Yes
Reach, radial	Ø 3 m (7 m ²)
Twilight setting TEACH	No

Twilight setting	2 – 2000 lx
Time setting	8 s – 35 Min.
Switching output 1, resistive	2000 W
Switching output 1, number of LEDs / fluorescent lamps	6 pcs.
Constant-lighting control	No
Basic light level function	No
Settings via	Potentiometers
With remote control	No
Interconnection	Yes
Type of interconnection	Master/master
IP-rating	IP54
Material	Plastic
Ambient temperature	-20 – 50 °C
Colour	white
Colour, RAL	9010
IDs, certificates	VDE
Manufacturer's Warranty	5 years
PU1, EAN	4007841006556

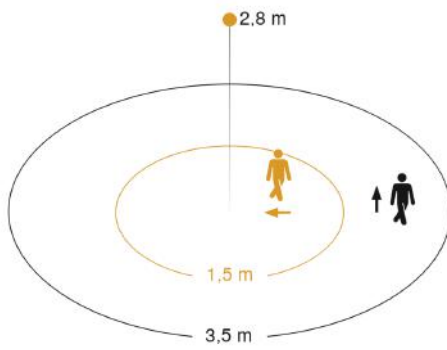
Motion detectors

IS 2360 ECO

EAN 4007841 006556

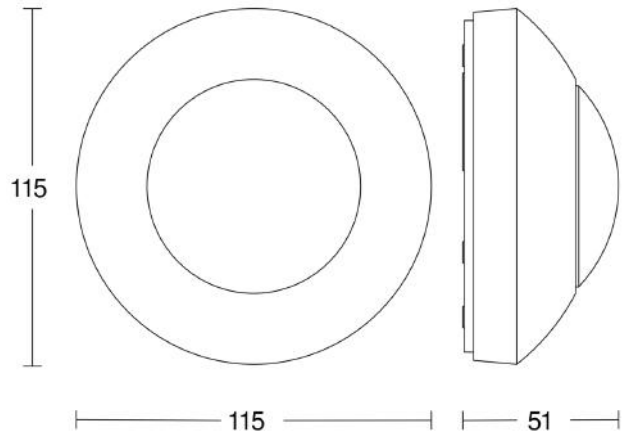
STEINEL[®]
PROFESSIONAL

Detection Zone



Mögliche Montagehöhe: 2,00 m – 4,00 m
Orange: radial
Schwarz: tangential

Dimension Drawing



Circuit diagram

