

Beam Clamp TCS 1 ss

Group: 1737

Application

Heavy-duty connection element, which in combination with grub screws (M8 or M10), are suitable for mounting pipes, ducts and equipment to steel beams (I-, T-, U and angle steel beams).

- ◆ The combination with a Universal Joint ss provides for vertically aligned attachment to inclined beams.
- ◆ Can serve as single mounting element, for installing crossbars and for fixing cantilever structures.
- ◆ Due to their special base profile, Beam Clamps TCS can also be slid along and retained in the opening of Sikla Channels MS 41.

Scope of delivery

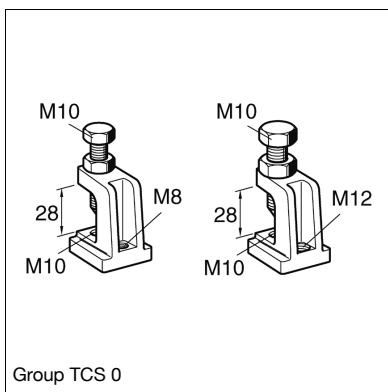
Pre-assembled with clamping bolt and locking nut.

Installation

Tighten the clamping bolt of the Beam Clamp first by hand, then tighten down with a spanner according to the mounting instructions. The hardened point of the clamping bolt will penetrate the comparatively soft material of the beam, ensuring a solid and highly secure connection. Tighten the locking nut for securing the installation.

Use an additional Holding Bracket HK 41 for mounting in the area of the cutting edge of a channel.

Advice: Read relevant mounting instructions before installation!



Group TCS 0

Technical Data

Working load: 5.0 kN

This nominal load applies to new Beam Clamps fixed to undamaged beam flanges only.

Material: Stainless steel A4

Type	Connection	Clamping range on parallel flange [mm]	W [kg]	Quantity [pack]	Part number
TCS 1 M10/M8	M10/M8	26	0.23	50	170231
TCS 1 M10/M12	M10/M12	26	0.22	50	110766